



SERIES 1360

STRIPPER-TUBING HEAD

The Washington Stripper-Tubing Head is a Well Head Tool that is designed to seal on the O.D. of a casing or tubing string while raising, lowering or rotating. It can be used on cavitation wells, reverse circulation operations, conventional drilling operations and as a circulation head.

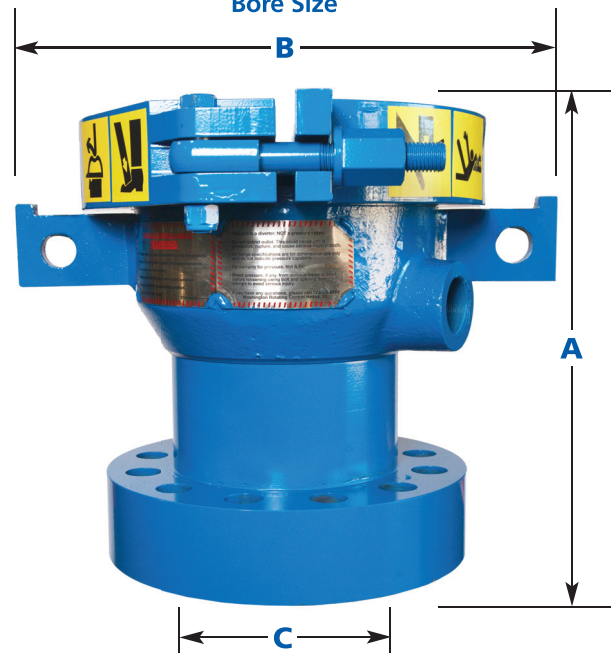
This unit utilizes the 9010 Stripper Rubber which is a self energized seal that does not require additional means for closure. The rubber is held securely in the head by means of a two piece hinge clamp for fast and easy access. The 9010 Stripper Rubber features Washington Rotating's patented dual sealing system, incorporating both the main skirt seal as well as an upper secondary sealing surface.

Washington Rotating's Patented Secondary Seal



Core ID

Bore Size



Model	Tubing Size	Bore Size	Core I.D.	Static Test Pressure
9010-AAX	1-1/2"	1"	3-3/8"	3500 PSI
9010-AX	2-3/8"	1-1/2"	3-3/8"	3500 PSI
9010-BX	2-7/8"	2"	4-1/2"	3500 PSI
9010-CX	3-1/2"	2-7/8"	5-1/4"	3500 PSI
9010-DX	4-1/2"	3-1/2"	6-1/2"	3500 PSI
9010-EX	5-1/2"	4-1/2"	6-1/2"	3500 PSI

Inlet Flange	A Height	B Width	C I.D.	Ring Groove	Weight	Outlet
7-1/16" 3M	17-1/4"	22-3/4"	7-1/16"	R-45	415 lbs.	2" NPT
7-1/16" 5M	18-1/4"	22-3/4"	7-1/16"	R-46	435 lbs.	2" NPT
9" 3M	17"	23"	9"	R-49	500 lbs.	2" NPT
9" 5M	18-1/4"	23"	9"	R-50	520 lbs.	2" NPT
11" 3M	15-3/4"	23"	10"	R-53	605 lbs.	2" NPT
11" 5M	17-1/2"	23"	10"	R-54	660 lbs.	2" NPT

WHEN ORDERING, PLEASE SPECIFY:

1. model number
2. lower flange size
3. outlet flange size
4. drill pipe size
5. drilling environment
6. high temperature, if applicable.

These units can be fitted with female collared or flanged outlets at your request. These units can be double drilled at your request.

REV 7/17

Washington Rotating Control Heads, Inc.
 P: 724.228.8889 | F: 724.228.8912
 63 Springfield Avenue | P.O. Box 261
 Washington, PA 15301
 www.washingtonrotating.com

Our test pressures have been established through controlled test procedures. As a result of the ever-changing environment of well drilling operations along with wear and tear on equipment, which erodes longevity and safe operating parameters, Washington Rotating Control Heads, Inc., its Business Units, Agents and Affiliates make no warranty either expressed or implied on the test pressures contained herein. Washington Rotating Control Heads, Inc. does not under any circumstances recommend that its rotating control devices be used as primary blow out prevention equipment.